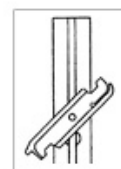


## Lasistas 70MI/TM

### TECHNICAL DETAILS

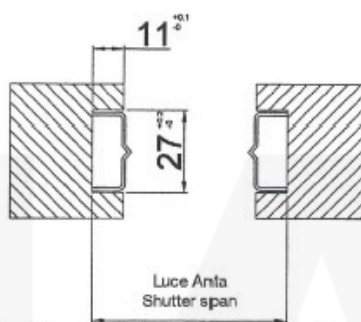
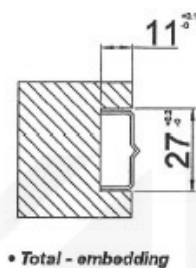
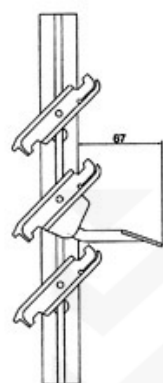
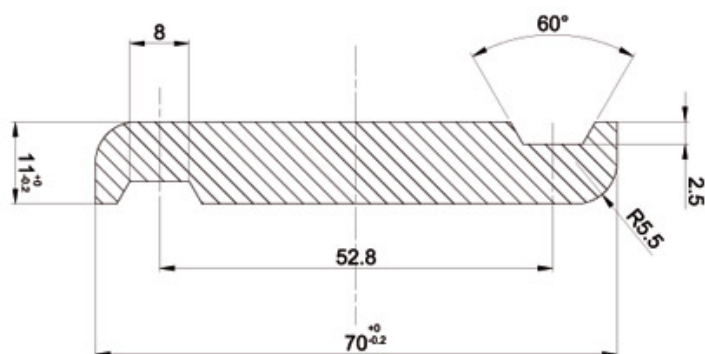
LASISTAS 70MI/TM - STANDARD	
DESCRIZIONE PRODOTTO	Turning louvers for 70 x 11 mm wooden-slats. <b>30 mm top/bottom extensions.</b> <b>Embedded profile..</b>
MATERIAL	Profile in zinc-coated steel and slat-holders in PBT. Profile in aluminium and slat-holders in PBT.
TREATMENTS	Varnishing with polyester powder for outside.
COLOURS	Standard Colours: ochre - brown - black. Available a vast range of colours, see our colour card.(consultare la nostra cartella).
PROFILE DIMENSIONS	26 x 11 x 1 mm



#### LASISTAS 70MI/TM assures:

- traditional shutter reproduction
- Easy fitting by reverse-rotation accessory of slat-holders
- snap-shutting of slats
- screws fastening: central
- quality of product checked on each piece by our inward supervision.

#### Sezione profilo della lamella - Profilo 26 mm



## How to assemble the PBT slat

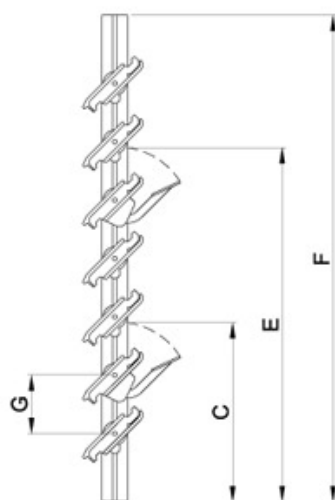


Slip in the previously treated slat: this should be done gently, as interference could cause stiffening of the closing mechanism.

Once the correct position is reached, the slat-holder will automatically block the slat in position.

In the version with steel or aluminium slat-holders, after slipping in the slats, close the slat-holder by moving the metal key towards the slat until they adhere.

## Dimension LASISTAS 70MI/TM - STANDARD version



C - Height of first handle  
 E - Height of second handle  
 F - Height of frame  
 G - Centre distance (= 60 mm)

SLAT controls		PROFILE 26 mm		
		C	E	F
6	1	304		440
7	1	304		500
8	1	304		560
9	1	304		620
10	1	304		680
11	1	304		740
12	1	484		800
13	1	484		860
14	1	484		920
15	1	484		980
16	1	484		1040
17	2	301	724	1100
18	2	304	724	1160
19	2	304	724	1220
20	2	304	784	1280
21	2	304	844	1340
22	2	304	844	1400
23	2	304	964	1460
24	2	304	1024	1520
25	2	304	1084	1580
26	2	304	1084	1640
27	2	304	1204	1700
28	2	304	1204	1760
29	2	484	1324	1820
30	2	484	1324	1880
31	2	484	1384	1940
32	2	484	1444	2000