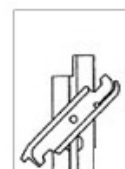


Lasistas 70MI/LAM

TECHNICAL DETAILS

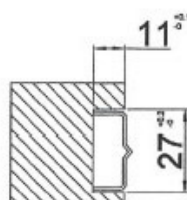
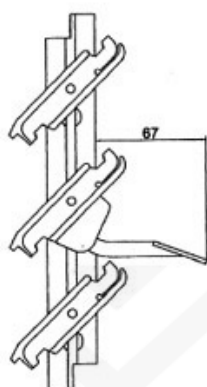
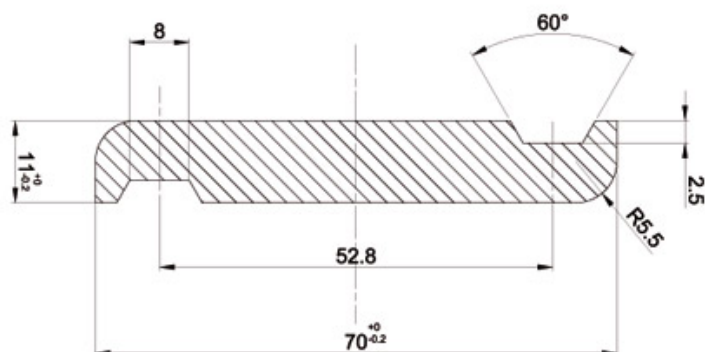
LASISTAS 54MI/LAM - STANDARD version	
PRODUCT DESCRIPTION	Turning louvers for 54 x 11 mm wooden-slats. Top/bottom spot-facing 13 x 13 mm. The machining of the heads allows the slat to be flush with the frame. Embedded profile
MATERIAL	- profile in zinc-coated steel and slat-holders in PBT - profile in aluminium and slat-holders in PBT
TREATMENTS	Varnishing with polyester powder for outside.
COLOURS	Standard Colours: ochre - brown - black. Available a vast range of colours (see our colour card).
PROFILE DIMENSION	26 x 11 x 1 mm.



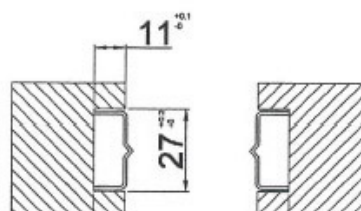
LASISTAS 54MI/LAM assures:

- traditional shutter reproduction
- easy fitting by reverse-rotation accessory of slat-holders
- snap-shutting of slats
- screws fastening: central
- quality of product checked on each piece by our inward supervision.

Section profile of the slat



• Total - embedding



• Calculation of slat length: shutter span - 33 mm

How to assemble the PBT slat

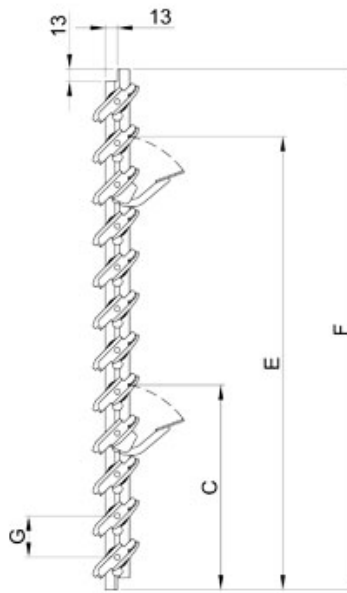


Slip in the previously treated slat: this should be done gently, as interference could cause stiffening of the closing mechanism.

Once the correct position is reached, the slat-holder will automatically block the slat in position.

In the version with steel or aluminium slat-holders, after slipping in the slats, close the slat-holder by moving the metal key towards the slat until they adhere.

Dimension LASISTAS 54MI/LAM - STANDARD



C - Height of first handle
 E - Height of second handle
 F - Height of frame
 G - Centre distance (44,5 mm)

SLATS controls		PROFILE 26 mm		
		C	E	F
6	1	227	-	292
7	1	227	-	336
8	1	227	-	381
9	1	227	-	425
10	1	227	-	470
11	1	227	-	514
12	1	227	-	559
13	1	227	-	603
14	1	405	-	648
15	1	405	-	692
16	1	405	-	737
17	1	405	-	781
18	1	405	-	826
19	1	405	-	870
20	1	405	-	915
21	1	405	-	959
22	1	405	-	1004
23	2	227	716	1049
24	2	227	716	1093
25	2	227	761	1138
26	2	227	805	1182
27	2	227	939	1227
28	2	227	983	1271
29	2	405	1028	1316
30	2	405	1028	1361
31	2	405	1072	1405
32	2	405	1072	1449