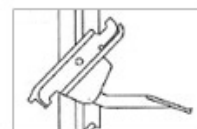


## Lasistas 70MI

### TECHNICAL DETAILS

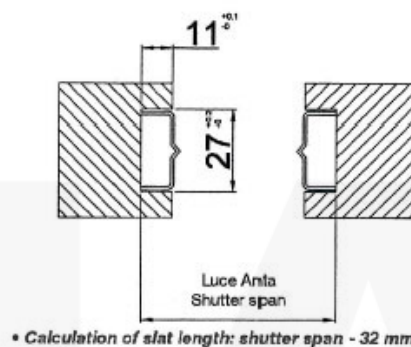
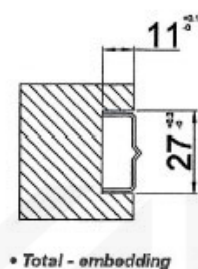
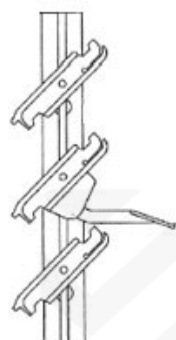
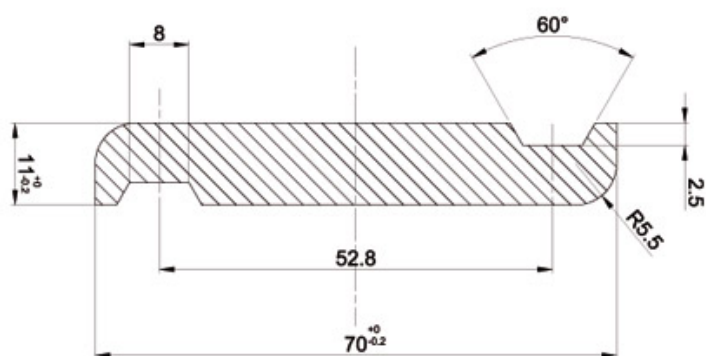
LASISTAS 70MI - STANDARD VERSIONS	
PRODUCT DESCRIPTION	Turning louvers for 70 x 11 mm wooden-slats. <b>Embedded profile.</b>
MATERIAL	profile in zinc-coated steel and slat-holders in PBT. profile in aluminium and slat-holders in PBT.
TREATMENTS	varnishing with polyester powder for outside.
COLOURS	Standard colours: ochre - brown - black. Available a vast range of colours (see our colour card).
PROFILE DIMENSIOIS	26 x 11 x 1 mm



#### LASISTAS 70MI assures:

- traditional shutter reproduction
- easy fitting by reverse-rotation accessory of slat-holders
- snap-shutting of slats
- screws fastening: central
- quality of product checked on each piece by our inward supervision

#### Section profile of the slat



## How to assemble the PBT slat

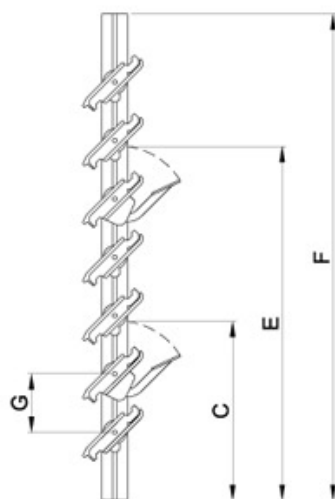


Slip in the previously treated slat: this should be done gently, as interference could cause stiffening of the closing mechanism.

Once the correct position is reached, the slat-holder will automatically block the slat in position.

In the version with steel or aluminium slat-holders, after slipping in the slats, close the slat-holder by moving the metal key towards the slat until they adhere.

## Dimensions LASISTAS 70MI - STANDARD version



C - Height of first handle  
E - Height of second handle  
F - Height of frame  
G - Centre distance (= 60mm)

SLATS controls		PROFILE 26 mm		
		C	E	F
6	1	274		380
7	1	274		440
8	1	274		500
9	1	274		560
10	1	274		620
11	1	274		680
12	1	274		740
13	1	454		800
14	1	454		860
15	1	454		920
16	1	454		980
17	2	271	694	1040
18	2	274	694	1100
19	2	274	694	1160
20	2	274	754	1220
21	2	274	814	1280
22	2	274	814	1340
23	2	274	934	1400
24	2	274	994	1460
25	2	274	1054	1520
26	2	274	1054	1580
27	2	274	1174	1640
28	2	274	1174	1700
29	2	454	1294	1760
30	2	454	1294	1820
31	2	454	1354	1880
32	2	454	1414	1940
34 (16+18)	2	405	1117	1539
35 (17+18)	2	405	1161	1583
36 (17+19)	2	405	1161	1627
37 (18+19)	2	405	1206	1672
38 (18+20)	2	405	1206	1717
39 (18+21)	2	405	1206	1761
40 (19+21)	2	405	1250	1805
41 (20+21)	2	405	1295	1850
42 (20+22)	2	405	1295	1895
43 (21+22)	2	405	1339	1939
44 (22+22)	2	405	1384	1984

