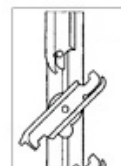


Lasistas 70CML

TECHNICAL DETAILS

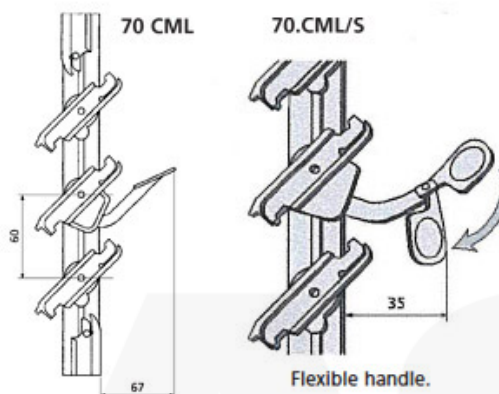
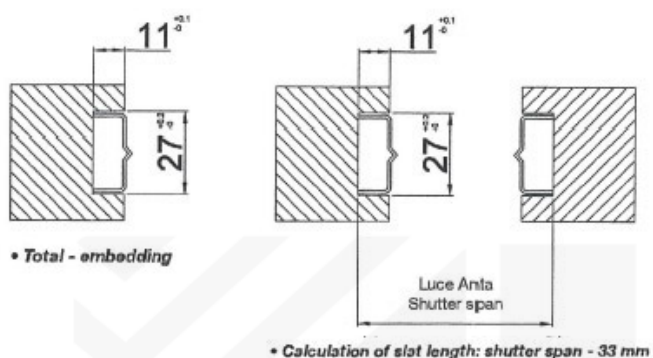
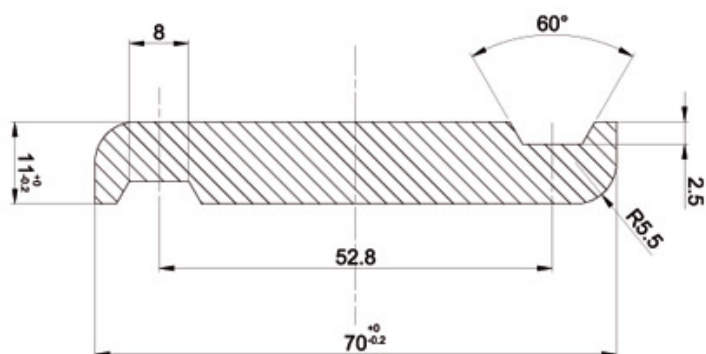
LASISTAS 70CML - STANDARD	
PRODUCT DESCRIPTION	Turning louvers for 70 x 11 mm wooden-slats. 30 mm top/bottom extensions with adjustable slat-holders. Embedded profile. Handle-lever.
MATERIAL	Profile in aluminium and slat-holders in PBT.
TREATMENTS	Varnishing with polyester powder for outside.
COLOURS	Standard colours: black.
PROFILE DIMENSIONS	26 x 11 x 1 mm.



LASISTAS 70CML assures:

- traditional shutter reproduction
- easy fitting by reverse-rotation accessory of slat-holders
- snap-shutting of slats
- screws fastening: central
- quality of product checked on each piece by our inward supervision.

Section profile of the slat



How to assemble the PBT slat



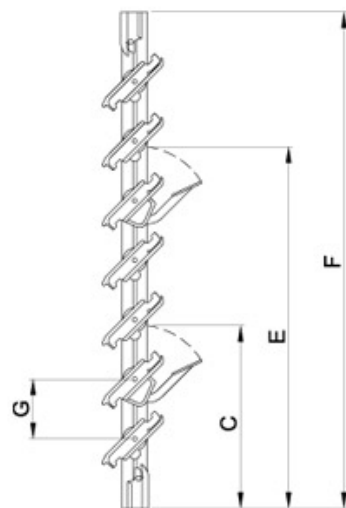
Slip in the previously treated slat: this should be done gently, as interference could cause stiffening of the closing mechanism.

Once the correct position is reached, the slat-holder will automatically block the slat in position.

In the version with steel or aluminium slat-holders, after slipping in the slats, close the slat-holder by moving the metal key towards the slat until they adhere.

How to assemble the PBT slat

Dimension LASISTAS 70CML - STANDARD version



C - Height of first handle
E - Height of second handle
F - Height of frame
G - Centre distance

SLATS controls		PROFILE 26 mm		
		C	E	F
6	1	304	-	440
7	1	304	-	500
8	1	304	-	560
9	1	304	-	620
10	1	304	-	680
11	1	304	-	740
12	1	304	-	800
13	1	484	-	860
14	1	484	-	920
15	1	484	-	980
16	1	484	-	1040
17	2	304	724	1100
18	2	304	724	1160
19	2	304	724	1220
20	2	304	784	1280
21	2	304	844	1340
22	2	304	844	1400
23	2	304	964	1460
24	2	304	1024	1520
25	2	304	1084	1580
26	2	304	1084	1640
27	2	304	1204	1700
28	2	304	1204	1760
29	2	484	1324	1820
30	2	484	1324	1880
31	2	484	1384	1940
32	2	484	1444	2000