

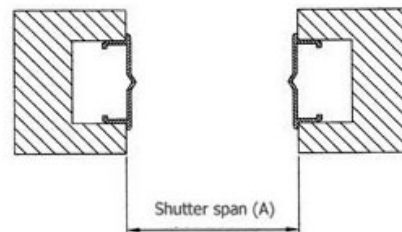
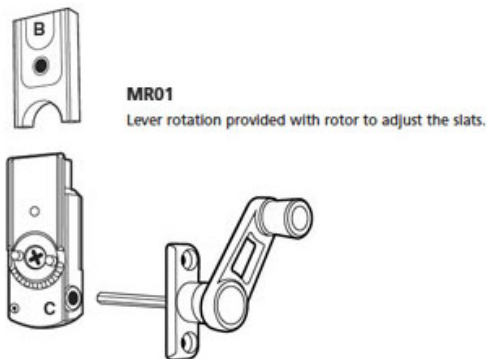
## Lasistas 54CMR

### TECHNICAL DETAILS

LASISTAS 54CMR - STANDARD version	
PRODUCT DESCRIPTION	Turning louvers for 54 x 11 mm wooden-slats. <b>26 mm top/bottom extensions with adjustable slat-holders.</b> Embedded profile <b>Lever-rotation</b>
MATERIAL	Profile in aluminium and slat-holders in PBT
TRATTAMENTI	Varnishing with polyester powder for outside.
COLOURS	Standard Colour: BLACK
PROFILE DIMENSIONS	26 x 9 mm.

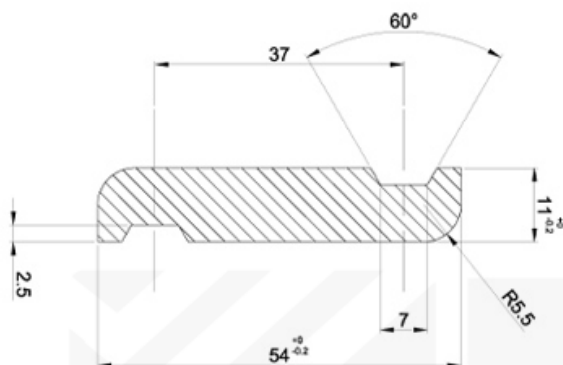
#### LASISTAS 54CMR assures:

- traditional shutter reproduction
- easy fitting by reverse-rotation accessory of slat-holders
- snap-shutting of slats
- screws fastening: central
- quality of product checked on each piece by our inward supervision.

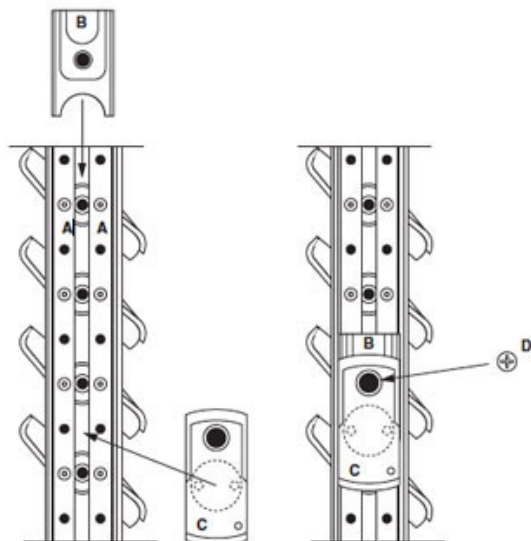


. CALCULATION OF SLAT LENGTH: Shutter span (A) - 13,5 mm

#### Section profile of the slat



### Instructions of mechanism fixing for turning the slats.

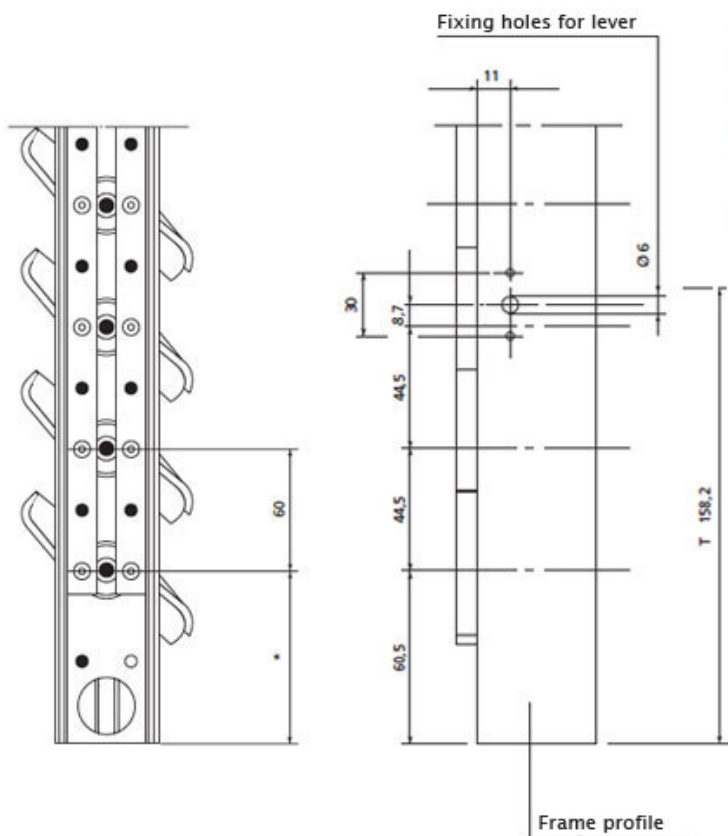


Fixing can be on both the right and the left.

- 1) Line up the holes of the two parallel rods (A) horizontally.
- 2) From the top insert the anchoring support (B).
- 3) Insert the two pins of the rotor (C) in the holes of the parallel rods (A) at the required height.
- 4) Bring the anchoring support (B) into contact to the mechanism (C) and screw together using the special locking screws (D).
- 5) Snap the slat-holder into the frame profile.

The mechanism for turning the slats consists of two parts: the anchoring support (B) and the rotor (C). This makes it easy to reposition the mechanism without damaging the profile.

### To obtain the hole position of the lever into the frame profile.



To calculate the position of the holes for fixing the lever into the frame profile, add the following measurements to obtain quota (T):

- 60,5 mm** measurement of the adjustable head.
- 44,5 mm** distance between two slats (once or more according to the height of lever position).
- 8,7 mm** distance between the centre of the slat and the lever axis (fixed measurement).

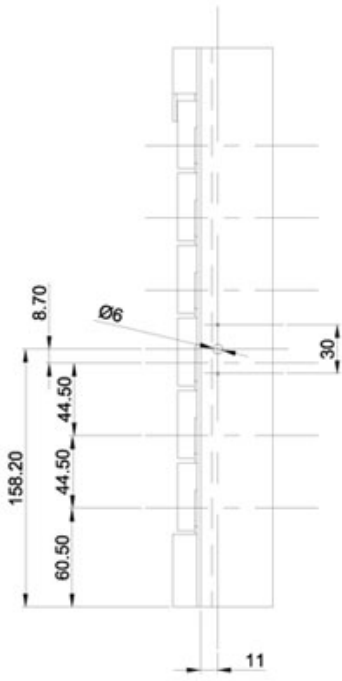
### How to assemble the PBT slat



Slip in the previously treated slat: this should be done gently, as interference could cause stiffening of the closing mechanism.

Once the correct position is reached, the slat-holder will automatically block the slat in position.

Dimension LASISTAS 54CMR - STANDARD version



SLATS controls		PROFILE 26 mm
		h.
6	1	343
7	1	388
8	1	432
9	1	477
10	1	521
11	1	566
12	1	610
13	1	655
14	1	699
15	1	744
16	1	788
17	1	833
18	1	877
19	1	922
20	1	966
21	1	1011
22	1	1055
23	2	1100
24	2	1144
25	2	1189
26	2	1233
27	2	1278
28	2	1322
29	2	1367
30	2	1411
31	2	1456
32	2	1500