

## Lasistas 54CML

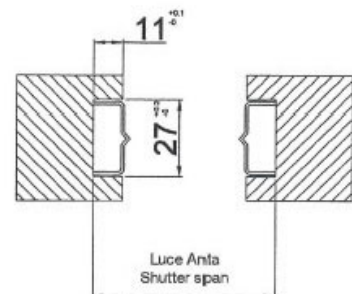
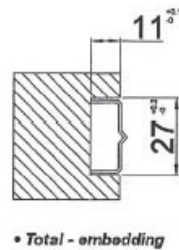
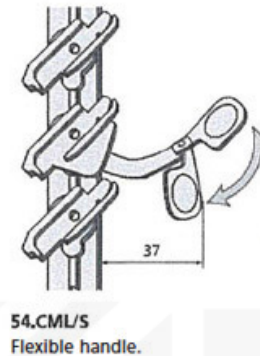
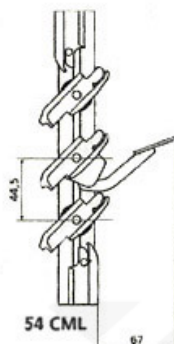
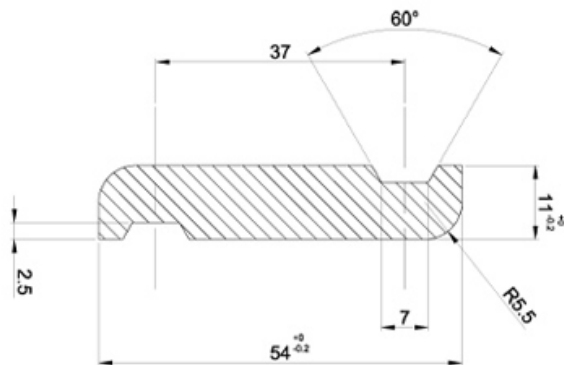
### TECHNICAL DETAILS

LASISTAS 54CML - STANDARD version	
PRODUCT DESCRIPTION	Turning louvers for 70 x 11 mm wooden-slats. <b>26 mm top/bottom extensions with adjustable slat-holders.</b> Embedded profile <b>Handle-lever</b>
MATERIAL	Profile in aluminium and slat-holders in PBT
TREATMENTS	Varnishing with polyester powder for outside.
COLOURS	Standard Colour: BLACK.
PROFILE DIMENSIONS	26 x 11 x 1 mm.

#### LASISTAS 54CML assures:

- traditional shutter reproduction
- easy fitting by reverse-rotation accessory of slat-holders
- snap-shutting of slats
- screws fastening: central
- quality of product checked on each piece by our inward supervision.

#### Section profile of the slat



## How to assemble the PBT slat

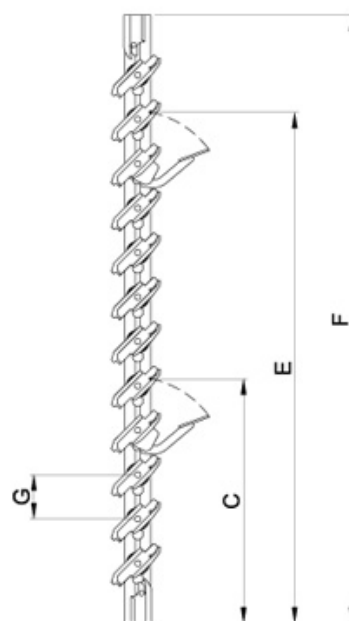


Slip in the previously treated slat: this should be done gently, as interference could cause stiffening of the closing mechanism.

Once the correct position is reached, the slat-holder will automatically block the slat in position.

In the version with steel or aluminium slat-holders, after slipping in the slats, close the slat-holder by moving the metal key towards the slat until they adhere.

## Dimension LASISTAS 54CML - STANDARD



C - Height of first handle  
E - Height of second handle  
F - Height of frame  
G - Centre distance (44,5 mm)

SLATS controls		PROFILE 26 mm		
		C	E	F
6	1	250	-	343
7	1	250	-	388
8	1	250	-	432
9	1	250	-	477
10	1	250	-	521
11	1	250	-	566
12	1	250	-	610
13	1	250	-	655
14	1	428	-	699
15	1	428	-	744
16	1	428	-	788
17	1	428	-	833
18	1	428	-	877
19	1	428	-	922
20	1	428	-	966
21	1	428	-	1011
22	1	428	-	1055
23	2	250	784	1100
24	2	250	784	1144
25	2	250	829	1189
26	2	250	829	1233
27	2	250	1007	1278
28	2	428	1051	1322
29	2	428	1096	1367
30	2	428	1096	1411
31	2	428	1096	1456
32	2	428	1096	1500