

Bilasistas

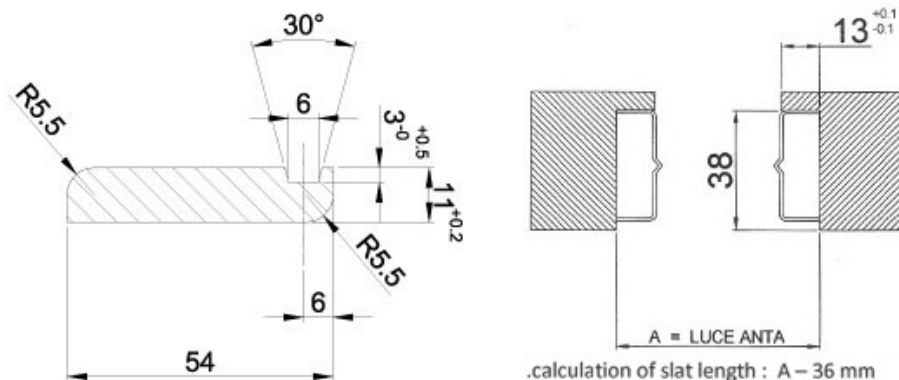
TECHNICAL DETAILS

BILASISTAS - MODULAR version	
PRODUCT DESCRIPTION	Turning louvers for 54 x 11 mm wooden-slats.
MATERIAL	Profile and slat-holders in zinc-coated steel.
TREATM	Varnishing with polyester powder for outside on finished product.
COLOURS	Standard colours: ochre - brown - black. Available a vast range of colours (see our colour card).
PROFILE DIMENSIONS	36 x 13 x 1 mm.

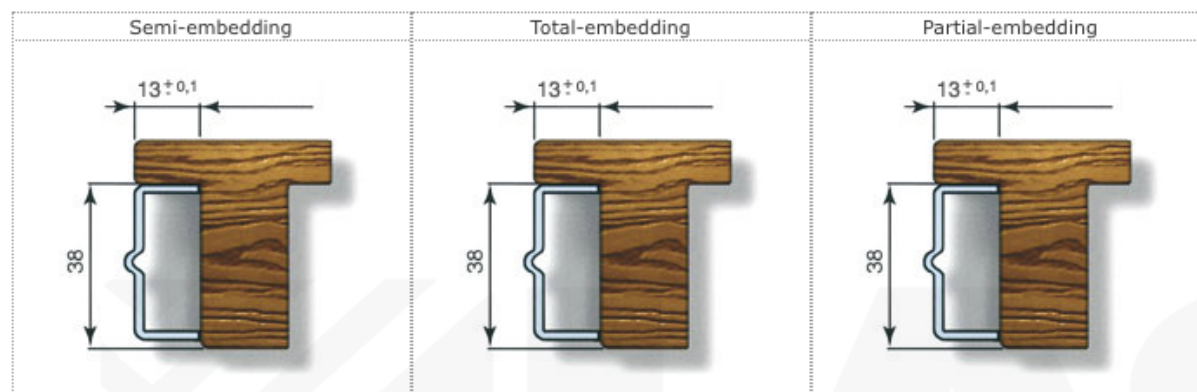
BILASISTAS assures:

- traditional blind reproduction giving the typical brightness of lasistas 96
- easy fitting by reverse-rotation accessory of slat-holders
- better tightness of wooden slats for the peculiar shape of slat-holders
- stock decrease thanks to its "patented" modular version
- uality of the product checked on each piece by our inward supervision

Section profile of the slat



Embedding application - Profilo 36 mm

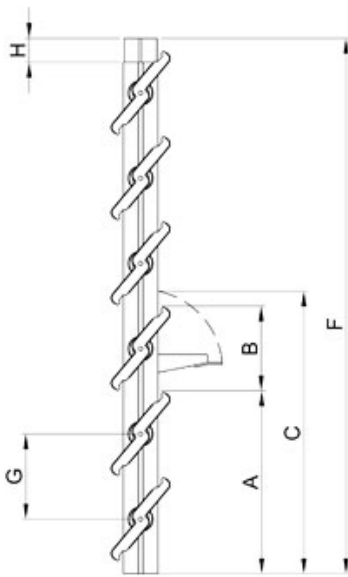


MODULAR version - PATENTED

The modular version (patented) is particularly interesting.

Thanks to its special coupling, it is possible to obtain any length required, simply by overlapping the posts.

Dimension BILASISTAS - MODULAR



SLATS control		PROFILE 36 mm			
		A	B	C	F
3	1	102	103	205	292
4	1	191	103	294	381
5	1	191	103	294	470
6	1	280	103	383	559
7	1	280	103	383	648
8	1	369	103	472	737
9	1	369	103	472	826
10	1	458	103	561	915
11	1	458	103	561	1004

- A - Height of slit
- B - Dimensions of slit
- C - Height of handle
- F - Height of frame
- G - Centre distance (= 89 mm)
- H - Overlapping (= 25 mm)