

Lumilas 70ML-ML/S

LUMILAS 70 are the mechanism that allows to direct the slats from 70 mm in the shutters in aluminum.

Realized in extruded aluminium, black elettro-colour, can be supplied with a fixed handle-lever, or with a flexible handle. The shape of the profile and the slat-holder have been studied specially to keep out light completely.

LUMILAS 70 is equipped whit accessory for rapid adjustment fitting slats the both levers are also suitable for "multi-leaf" or sliding frame.

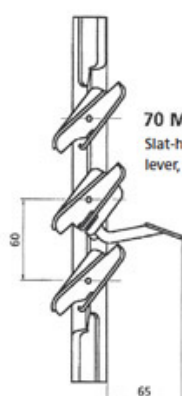
TECHNICAL DETAILS

LUMILAS 70ML-70ML/S	
PRODUCT DESCRIPTION	Turning louvers for aluminium. 70 mm drop-shaped. 35 mm top/bottom extensions with adjustable slat-holders. Handle lever.
MATERIAL	Profile in extruded aluminium and slat-holders in NYLON.
TREATMENTS	Oxidation black elettro-colour.
PROFILE DIMENSIONS	24.5 mm 32.2 mm 34.8 mm

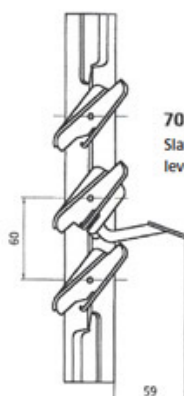
LUMILAS 70ML-70ML/S assures:

- traditional shutter reproduction
- easy fitting by reverse-rotation accessory of slat-holders
- snap-shutting of slats
- quality of product checked on each piece by our inward supervision.
- rapid adjustment

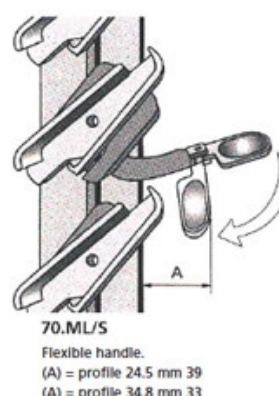
Dimensions LUMILAS 70ML-70ML/S



70 ML
Slat-holder with fixed handle-lever, profile 24.5 mm.

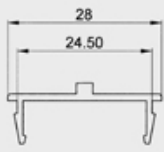
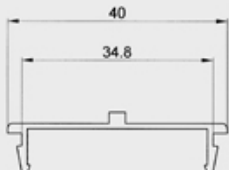

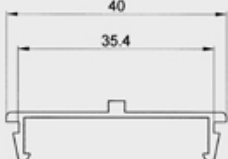



70 ML
Slat-holder with fixed handle-lever, profile 34.8 mm.



70.ML/S
Flexible handle.
(A) = profile 24.5 mm 39
(A) = profile 34.8 mm 33

PROFILES

A001 	M001 	D001 	M002 	
For chambers 24 and 25 mm	For chambers 35 and 36 mm	For chambers 32 and 32,2 mm		Section profile of the slat

Dimension LUMILAS 70ML

ARTICLE	HEIGHT mm	n. SLATS	n. CONTROLS
L06.70.ML	450	6	1
L07.70.ML	510	7	1
L08.70.ML	570	8	1
L09.70.ML	630	9	1
L10.70.ML	690	10	1
L11.70.ML	750	11	1
L12.70.ML	810	12	1
L13.70.ML	870	13	1
L14.70.ML	930	14	1
L15.70.ML	990	15	1
L16.70.ML	1050	16	1
L17.70.ML	1110	17	2
L18.70.ML	1170	18	2
L19.70.ML	1230	19	2
L20.70.ML	1290	20	2
L21.70.ML	1350	21	2
L22.70.ML	1410	22	2
L23.70.ML	1470	23	2
L24.70.ML	1530	24	2
L25.70.ML	1590	25	2
L26.70.ML	1650	26	2
L27.70.ML	1710	27	2
L28.70.ML	1770	28	2
L29.70.ML	1830	29	2
L30.70.ML	1890	30	2
L31.70.ML	1950	31	2
L32.70.ML	2010	32	2